

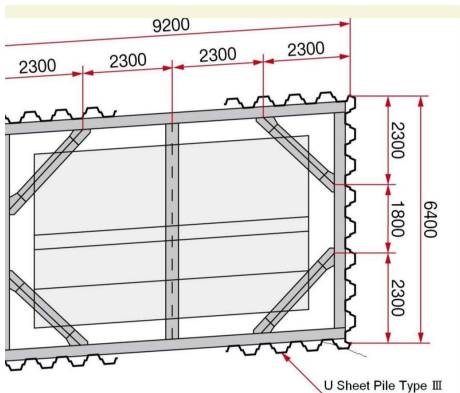


Hard Ground Press-in Method

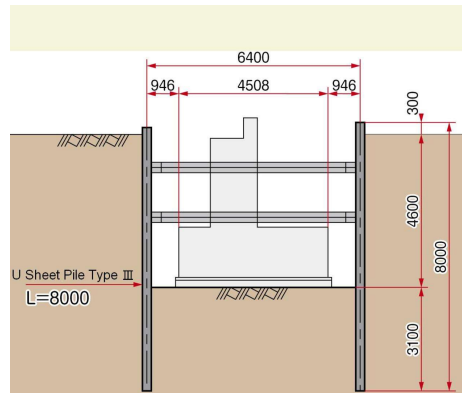


J P N

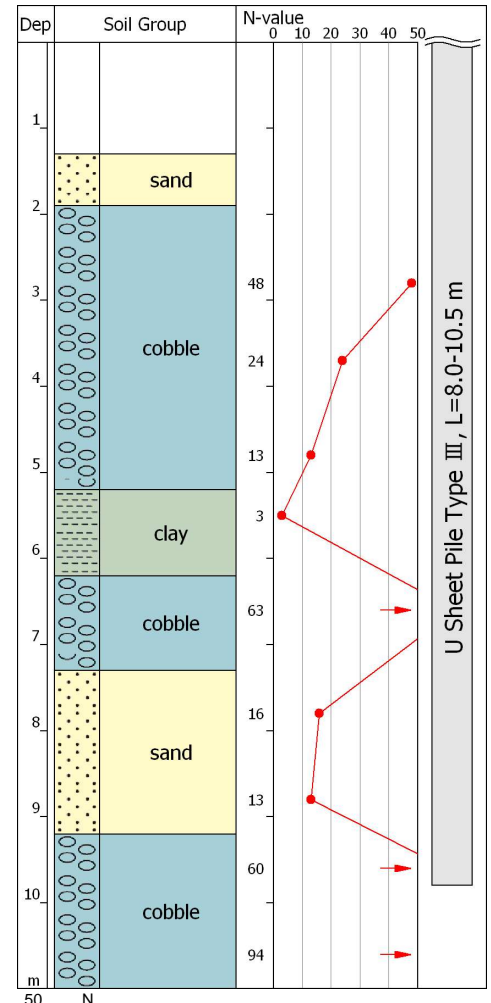
U Sheet Pile Press-in Method



Plan



Cross Section



Project Name	Yamada River Renovation Work
Purpose of Piling	River Work
Location	Unzen city, Nagasaki, JAPAN
Employer	Nagasaki Prefecture Shimabara Development Bureau
Main Contractor	Mitsumata Doken Co., Ltd.
Piling Contractor	Touyou Syoukou Co, Ltd.
Duration	April 2009 to May 2009
Press-in Machinery	Silent Piler SCU-ECO400S
Pile Section & Length	U Sheet Pile Type III, L=8.0-10.5m, N=160
Features & Remarks	Press-in U Sheet Pile into the cobbles layer with Max. SPT N-value about 63. The compact and lightweight machine realises safe piling operation in minimum working space. No negative impact such as vibration and noise to the surrounding buildings.